



Feet

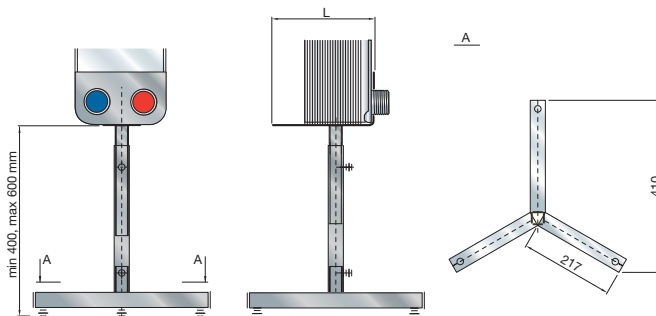
Brazed and Fusion-bonded Heat Exchangers

Alfa Laval offers a wide range of accessories to our products. This leaflet shows the feet and floor support kits available from stock.

Floor support kit, height adjustable

Material: Black painted steel

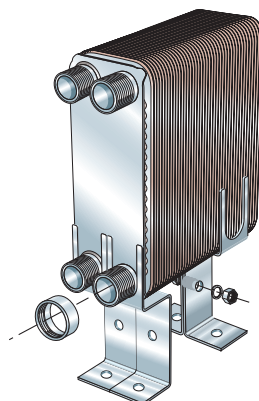
CB30, CB60, AlfaNova 27 (Fits connections 1¼" and smaller)		
Nbr. of plates	L	Item nbr.
10-60	45	3456089801
61-100	130	3456089802
101-150	200	3456089803
CB76, CB110, CB112, AlfaNova 76 (Fits connections 2½" and smaller)		
Nbr. of plates	L	Item nbr.
10-60	190	3456090801
61-90	260	3456090804
91-120	350	3456090802
121-150	350	3456090803



Floor support kit

Material: Galvanized steel

CB30, CB60, AlfaNova 27 (Fits connections 1" and smaller)		
Nbr. of plates	L	Item nbr.
Max. 30 plates	55	162965401
Max. 150 plates	110	162965402
CB76, CB110, CB112, AlfaNova 76		
Nbr. of plates	L	Item nbr.
Max. 30 plates	190	162965501
Max. 150 plates	190	162965502

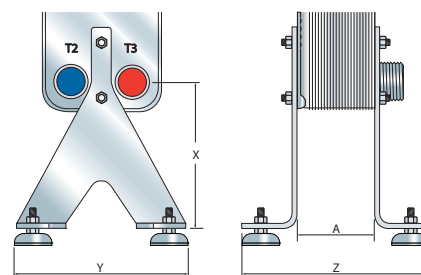


Rigid feet

Require studbolts welded on the heat exchanger.

Material: Galvanized steel

Model	X	Y	Z	Item nbr.
CB76, AlfaNova 76				
CB110, CB112, AC112	199	269	A + 180	3456544501
CB200	178	400	A + 160	Incl. in the heat exchanger
CB300	217 (S2) / 194.5 (S3)	466	A + 260	Incl. in the heat exchanger
CB400, AlfaNova 400	242	466	A + 260	Incl. in the heat exchanger



UMÍSTIT LOGO A KONTAKTNÍ ÚDAJE METALIMPEX HES

How to contact Alfa Laval

Up-to-date AlfaLaval contact details for all countries are always available on our website on www.alfalaval.com